

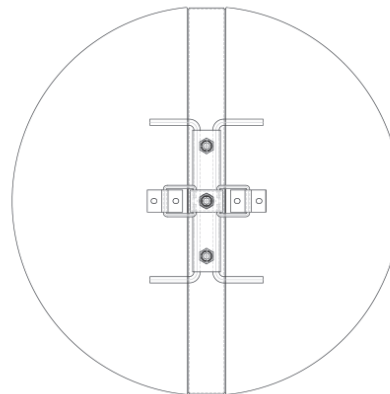
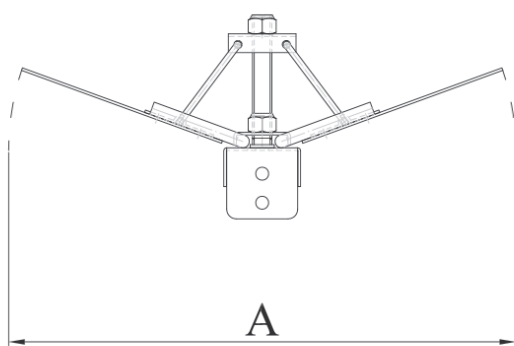


SER 03

Calibration butterfly damper suitable for installation upstream of the galvanised steel circular diffusers complete with opening/closing mechanism.

TECHNICAL SPECIFICATION AND USAGE LIMIT

MATERIAL	SURFACE FINISH	FASTENING
Steel	Galvanised	<ul style="list-style-type: none"> Screws to the diffuser neck or the piping SER03 calibration butterfly damper is suitable for installation upstream of the circular diffusers. It is made of galvanised steel and comes complete with a robust and rigid opening/closing mechanism in order to prevent vibration and noise when the air passes through. Easy installation, adjustments and maintenance. The damper fitted at the top of the diffuser is adjusted by acting on the adjustment screw through the hole in the threaded bar of the diffuser.








TECHNICAL DATA

ø Nominal	Ø A
100	97
150	147
160	157

TECHNICAL DATA

∅ Nominal	∅ A
200	197
250	247
300	297
315	312
350	347
400	397
450	447
500	497

APPLICATIONS

				
Residential	REACH Certificate	RoHS Certificate	Industry	Building

*on request