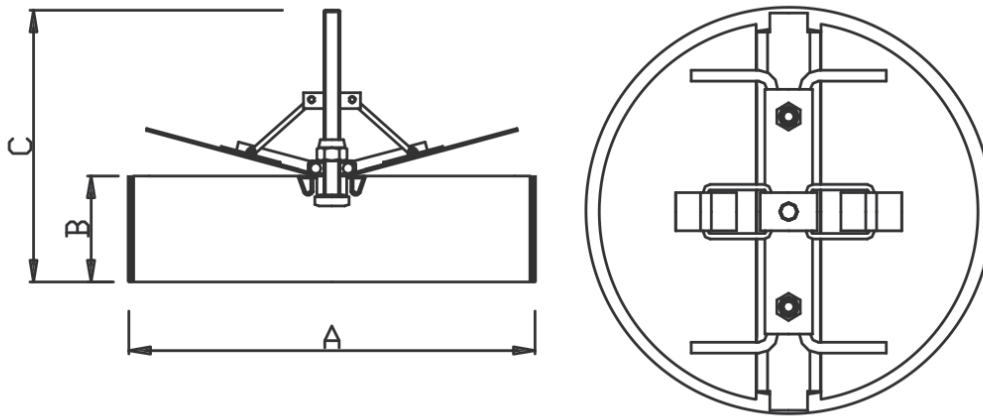


# SER 01

Calibration butterfly damper suitable for installation upstream of the galvanised steel circular diffusers complete with opening/closing mechanism.

## TECHNICAL SPECIFICATION AND USAGE LIMIT

MATERIAL	SURFACE FINISH	FASTENING
Steel	Galvanised	<ul style="list-style-type: none"> <li>Screws to the diffuser neck or the piping</li> <li>The SER01 calibration butterfly damper is suitable for installation upstream of the circular diffusers. It is made of galvanised steel and comes complete with a robust and rigid opening/closing mechanism in order to prevent vibration and noise when the air passes through.</li> <li>Easy installation, adjustments and maintenance.</li> <li>The damper fitted at the top of the diffuser is adjusted by acting on the adjustment screw through the hole in the threaded bar of the diffuser.</li> </ul>








## TECHNICAL DATA

ø Nominal	Ø A	B	C
100	95	39	100
150	145	39	100
160	155	39	100

## TECHNICAL DATA

Ø Nominal	Ø A	B	C
200	195	39	100
250	245	39	100
300	295	39	100
315	310	39	100
350	345	39	100
400	395	39	100
450	445	39	100
500	495	39	100

## APPLICATIONS

				
Residential	REACH Certificate	RoHS Certificate	Industry	Building

\*on request