

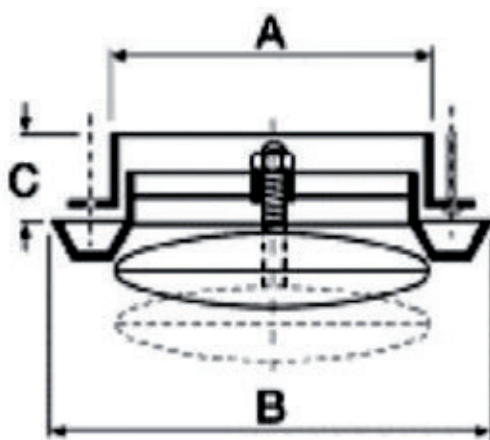


VMP

Polypropylene ventilation valve diffuser. The air flow rate is adjusted by screwing (reducing the flow rate) or unscrewing (increasing the flow rate) the central disc.

TECHNICAL SPECIFICATION AND USAGE LIMIT

INSTALLATION HEIGHT	APPLICATIONS	MATERIAL	COLOR	FASTENING	INSTALLATION	ADJUSTMENT
2,5 to 4 m	suitable for extracting air into/from small rooms (bathrooms, kitchens); it can also be used as return terminal in medium-large rooms.	Polypropylene	RAL 9016 white.	ceiling-mounted or fitted directly on the ventilation or return duct in service rooms	Easy Installation, adjustments and maintenance. The central disc is easy to remove by unscrewing the fastening nut and the central pin.	the air flow rate is adjusted by turning the disc away from (increasing the flow rate) or towards (reducing the flow rate) the external neck








TECHNICAL DATA

Model	Ø A [mm]	Ø B [mm]	Ø C [mm]
100	100	150	20
150	150	190	20
200	200	240	20

TECHNICAL DATA

Model	Flow rate [m ³ /h]	Cone opening [mm]	Pressure drop [Pa]	Noise [dB(A)]
100	54	15	25	25
	72	18	40	30
	108	20	80	38
150	108	10	70	40
	144	18	68	35
	180	25	70	33
200	108	17	60	38
	144	22	68	35
	180	25	72	35

APPLICATIONS

				
Residential	REACH Certificate	RoHS Certificate	Industry	Building

*on request