



PS01L PlenuSan™

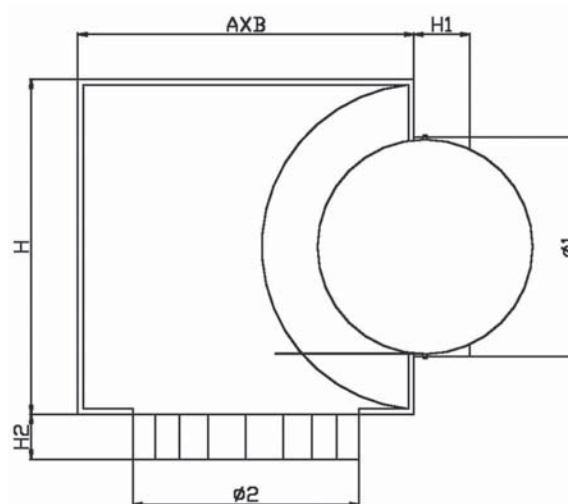
Plenum with a protective film with antibacterial and antimycotic action and side outlet for circular diffusers with adjustable cones and for variable geometry diffusers.

TECHNICAL SPECIFICATION AND USAGE LIMIT

INSTALLATION	MATERIAL	SURFACE FINISH	ADJUSTMENT	FASTENING:
Easy installation, adjustments and maintenance.	Galvanized steel coupled with insulating material coated with sanitized film.	Galvanized	The damper positioned at the plenum inlet is adjusted by means of the integrated lever.	With screws to the diffuser neck

APPLICATION

The plenum P01 is suitable for installation on circular diffusers with adjustable cones. It is made of galvanized steel and can be coated with insulating material and be equipped with an equalizer and calibration damper with opening and closing lever.



TECHNICAL DATA

Nominal Ø [mm]	A x B [mm]	H [mm]	H1 [mm]	H2 [mm]	Ø 1 [mm]	Ø 2 [mm]
100	200	200	85	50	96	102
150	251	220	85	50	150	150
160	251	220	85	50	160	160
200	291	220	85	50	198	200
250	341	310	85	50	248	250
300	391	360	85	50	298	303
315	406	375	85	50	313	318
350	441	410	85	50	348	353
400	550	550	85	50	396	402
450	600	600	85	50	446	452
500	730	730	85	50	496	502
630	730	730	85	50	626	632

CERTIFICATIONS

SANITIZATION

FIRE REACTION



SANITIZED TECHNOLOGY

PlenuSan™ is produced by coupling the new generation polyolefin film inside the plenum inner surfaces with the addition of the "Antibacterial Sanitized" active ingredient capable of reducing the microbial and bacterial load before being distributed inside the indoor spaces.



NO BACTERIA

NO MILDEW

IT

Expanded polyethylene support:
Class 1 (DM 26/06/84)

EU

Expanded polyethylene support:
Class 2 (EN 14313: 2009 - A1:2013)

GREEN BUILDING

Thanks also to the support of GreenMap, products manufactured by Tecnica srl contribute to obtain the credits of the major international rating systems for sustainable buildings:



LEED

Contributes to credits:
IP, MR



WELL

Contributes to credits:
MATERIALS, COMMUNITY, INNOVATION

BREEAM

BREEAM

Contributes to credits:
MAN

For further details regarding the specific contributions to the credits indicated, contact Tecnica Srl

APPLICATIONS

Residential	Mold Resistant	Microorganism Resistance	REACH Certificate	RoHS Certificate	Building	Air Conditioning	Grilles and diffusers

*on request